

SPECIFICATIONS:

NOMINAL IMPEDANCE: 50 OHMS

AVERAGE POWER RATING: 0.5 WATTS

MAX. AT 25° C.

FREQUENCY RANGE AND VSWR: SEE TABLE

OPERATING TEMPERATURE: -55°C TO +100°C.

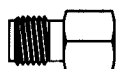
MATERIALS:

BODY: PASSIVATED STAINLESS STEEL

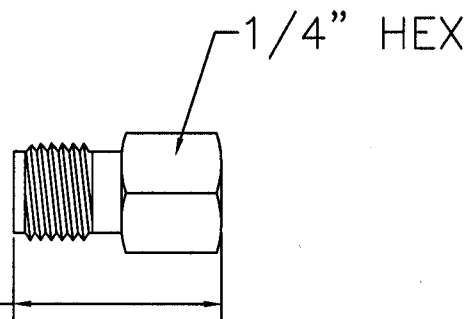
CONTACTS: BERYLLIUM COPPER, GOLD PLATED OVER NICKEL

RESISTIVE ELEMENT: THIN FILM ALUMINA

REVISIONS		DWG NO.	0.5-T-FA-X	SHT	REV
ZONE	REV	DESCRIPTION	DATE	APPROVED	
	A	CONVERT TO BEC FORMAT	DMR 11-8-02	<i>MCU</i>	



ACTUAL SIZE



PART NUMBER	FREQUENCY RANGE	VSWR MAX.
0.5-T-FA-A	DC TO 12 GHz	1.25:1
0.5-T-FA-B	DC TO 18 GHz	1.25:1

QTY. REQ.	ITEM NO.	PART NO.	DESCRIPTION
PARTS LIST			

UNLESS OTHERWISE SPECIFIED
DIMENSIONS ARE IN INCHES
TOLERANCES ARE:

FRACTIONS DECIMALS ANGLES
± 1/64 .XX = ±.010 ± 30'

DO NOT SCALE DRAWING

MILLIMETERS
.X = ±.4
.XX = ±.12

THIS DRAWING IS THE PROPERTY OF THE BIRD ELECTRONIC CORPORATION. THE DESIGNS AND SPECIFICATIONS DISCLOSED HEREON ARE PROPRIETARY AND SHALL NOT BE REPRODUCED, NOR COPIED, NOR USED AS THE BASIS FOR THE MANUFACTURE OR SALE OF APPARATUS OR DEVICES WITHOUT THEIR EXPRESS WRITTEN CONSENT.



BIRD Electronic Corporation
Cleveland (Solon) Ohio USA

MATERIAL	APPROVALS		DATE	TITLE		
	DRAWN	DMD	4-19-02	CONVECTION COOLED TERMINATION, 0.5 WATT, SMA FEMALE		
FINISH	CHECKED			SIZE	FSCM NO.	DWG NO.
	APPROVED	<i>MCU</i>	11-7-02	A	70998	0.5-T-FA-X
			AUTOCAD	SCALE 2:1	COMM CODE	SHEET 1 OF 1